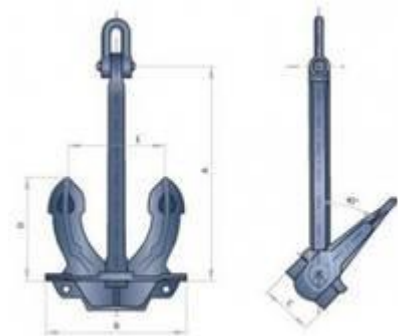




HALL anchor

This HALL anchor is a stockless conventional - very sturdy - anchor for sitting against the shelf of the vessel.



WEIGHT (IN KGS)	A	B	C	D=E
180-240	985	694	312	510
360-480	1220	860	380	630
780-900	1490	1053	470	772
1020-1140	1600	1126	512	825
1290-1440	1800	1245	550	895
1920-2100	2020	1407	623	1020
2280-2640	2170	1519	672	1085
3300-3780	2466	1740	733	1265
4050-4590	2784	1889	780	1384
4890-5610	2788	1952	846	1394
6000-6900	2930	2064	932	1512
8300-9300	3301	2311	1023	1650
9900-11000	3502	2452	1086	1751
13500-14700	3845	2690	1190	1925
17800-18800	4175	2920	1295	2085
20000-23000	4465	3125	1385	2230

Dimensions are not binding and note that not all available weights are mentioned in this table.