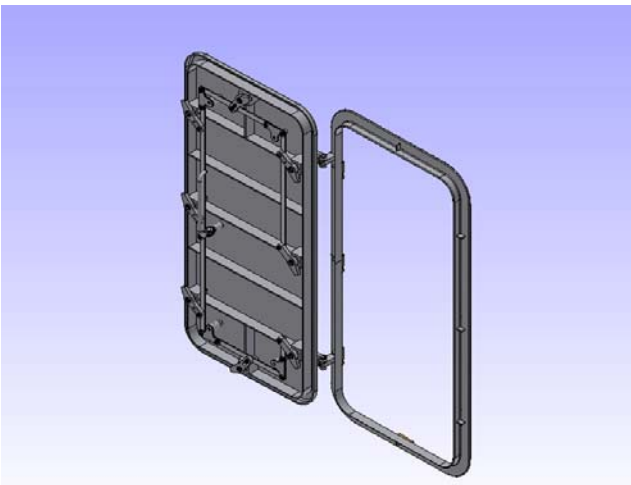


Musketeer HEAVY watertight doors Q-line

Winel Musketeer HEAVY Q-line

The Winel Musketeer HEAVY Q-line includes a wide range of **watertight** central closing doors build according to international rules & regulations.

Doors are designed and manufactured to withstand a water pressure up to **12 mWc** and are suitable for installation in watertight bulkheads. Individual Class Approval Certificate is mandatory.



Materials

Musketeer HEAVY Q-Line doors are executed with 8mm steel doorplate, stiffeners, doorstoppers to prevent seal damage and proximity switch for open/close indication. Number of hinges, closing points, stiffeners and thickness of cleats are determined by (a) the size of the door, (b) required water pressure and (c) classification society.

Operation

By means of the patented Musketeer system; stainless steel central closing mechanism with galvanised cleats. Quick acting handle on both sides. Self braking cleats operate with single action on the handle, ultra light operation due to 1:33 force transmission. Hinges and cleats are fully adjustable and maintenance free.

Dimensions

Clear opening (C/O)

Height: min. 800mm / max. 1850mm
(for insulated doors min. 1250mm)

Width: min. 550mm / max. 850 mm
(for insulated doors min. 600)

With intervals of 50mm.

All doors with round corners
R=100.

Frame

Steel angle bar frame; 75x50x7mm.

Handle

Clear size $W < 750\text{mm}$; handle 300mm.
Clear size $W \geq 750\text{mm}$; handle 400mm.

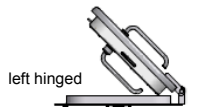
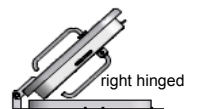
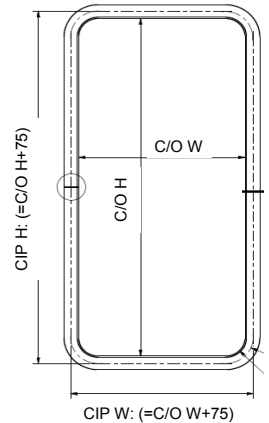
Door seal & Wedges

Door seal

Sea water resistant, loose supply.
45x20mm EPDM shore 45.

Wedges

Standard supplied with brass wedges.



(viewed from top)

Surface treatment

All doors are shot blasted SA 2,5 and primed with 1 layer Hempel shopprimer E 1527C, 20 mu.

Execution

Simply choose from the following basic selections to create the HEAVY Musketeer door you require;

1. Left or right hinged (when you open the door towards yourself, hinges are on the left (LH) or right (RH) side).
2. Insulation yes/no.
3. Water pressure (mWc).