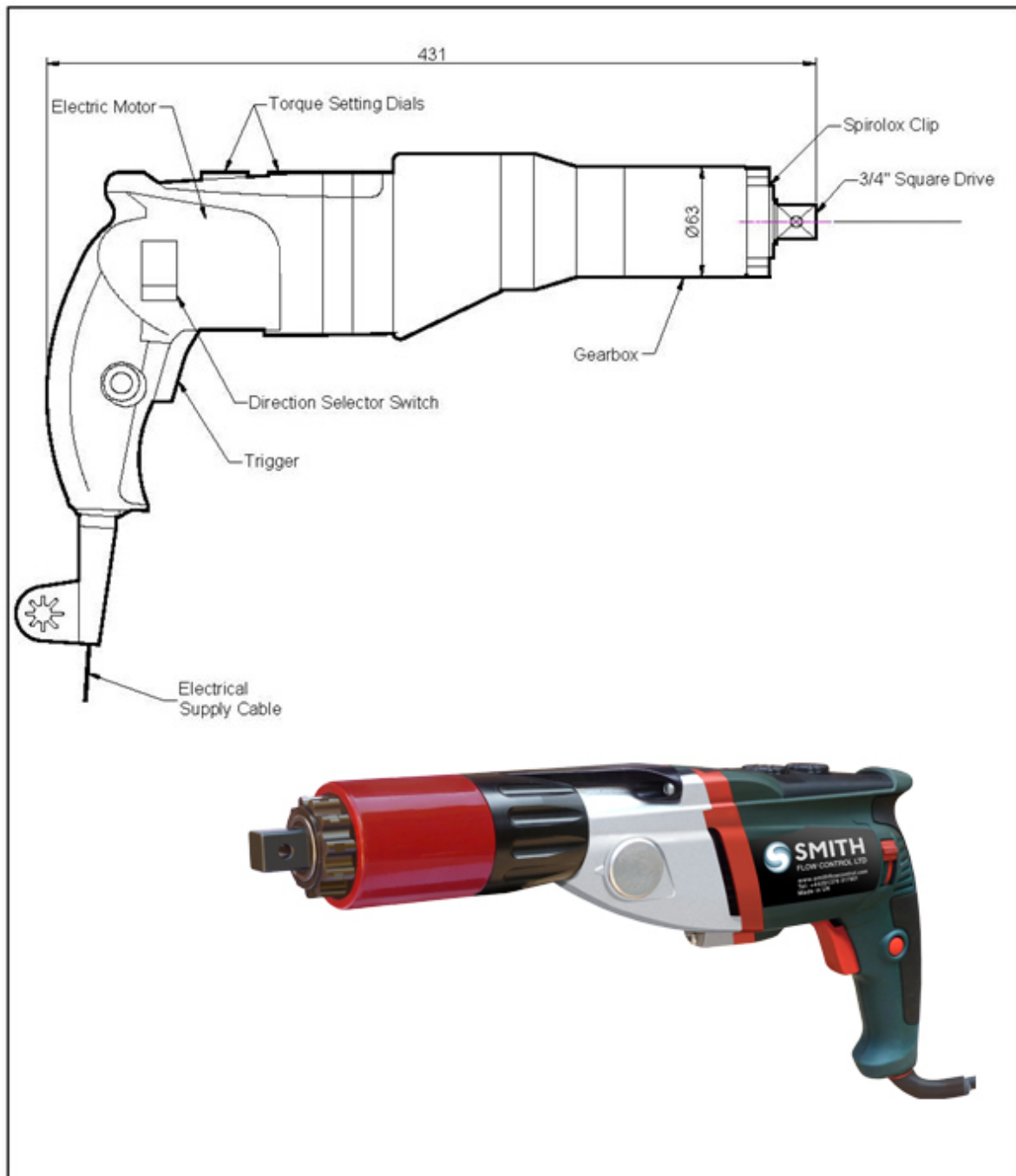




SMITH
FLOW CONTROL LTD



SFC EDE 6 Electric Torque Tool – Technical Data



DESCRIPTION

The SFC-EDE 6 Electric Torque Wrench is a hand held, non-impacting electrically driven power tool designed to apply torque and safely manage valve operations.

Torque is controlled by adjusting the torque setting dials. Corresponding pressure settings and torques are determined using a Calibration Certificate.

The SFC-EDE 6 must always be operated with the following:-

- 110v or 240v Electrical Supply (Dependent on model purchased)
- Reaction Kit

SPECIFICATION

Output Square Drive (Male):	3/4" (19.05mm)
Direction:	Forward & Reverse
Torque Accuracy:	+/- 10%
Minimum Output Torque:	150 Nm (110.6 lbf.ft)
Maximum Output Torque:	550 Nm (405. lbf.ft)
Speed:	21 rpm (Single)
Electric Motor Input Power:	850 Watts
Electric Motor Output Power:	480 Watts
Noise:	Less than 85 dB(A)
Vibration:	Vibration level at handle does not exceed 2.5m/sec (Low)
Tool Weight:	4.5 Kg (9.93 lbs)

ACCESSORIES AVAILABLE

The following accessories are available upon request and can be custom made to suit requirements. Please contact Smith Flow Control Limited for more information:-

- Reaction Kit
- Offset Gearbox

