

**Hand-Hydraulic Watertight  
Sliding door SEAGULL Q-line  
(article code 445.)**

**Seagull Q-line watertight sliding door**

The hand-hydraulic watertight sliding door SEAGULL is our most basic version of watertight sliding door. It is supplied as a completely finished and tested unit, ready for welding in. It combines the well known proven mechanical design of the doors, in standard sizes, with a standardized and simplified hydraulic and electrical system. This means there are less options but it turns out to be a **cost saver for the yard without compromising on quality.**

The design and manufacture of SEAGULL doors are in full compliance with the IMO/SOLAS safety regulations regarding cargo vessels (reg 25-9) to fulfil the watertight integrity of the vessel and is type approved by all major classification societies.

**Specifications (standard scope)**

**Available sizes**

Height: min. 1600mm / max. 2100mm with interval of 50mm.  
Width: min. 600mm / max. 1200mm with interval of 50mm.

**Sill height**

140 mm.

**Water pressure**

Limited to 10 mWc (i.e. test pressure).

**Hydraulic system**

**Local:** Local hand pump, operable at both sides of door; Pilot valve, operable at both sides of door, Y-filter, non return valve

**Above bulkhead deck (safety station or bridge):**

5L tank hand pump, closing only.

**Electrical system**

**Local:** IP 67 position sensors open/closed. IP66 sounder/flashlight

**Above bulkhead deck (safety station or bridge):** Ritall e-box with open/close indication and VDR interface (pot free contacts)

**On bridge (in case remote hand pump is not placed on bridge):** IP67 indication box open/closed

Power supply: 24 VDC for control and indication system (50W).

**Surface treatment**

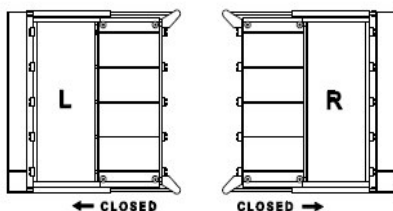
Door frame and door plate: shotblasted SA2,5 and primed with one layer of Sigmaweld MC (30 mu)

Cylinders: shotblasted and primed. Catch blocks, rails, wheels and tank: galvanised.

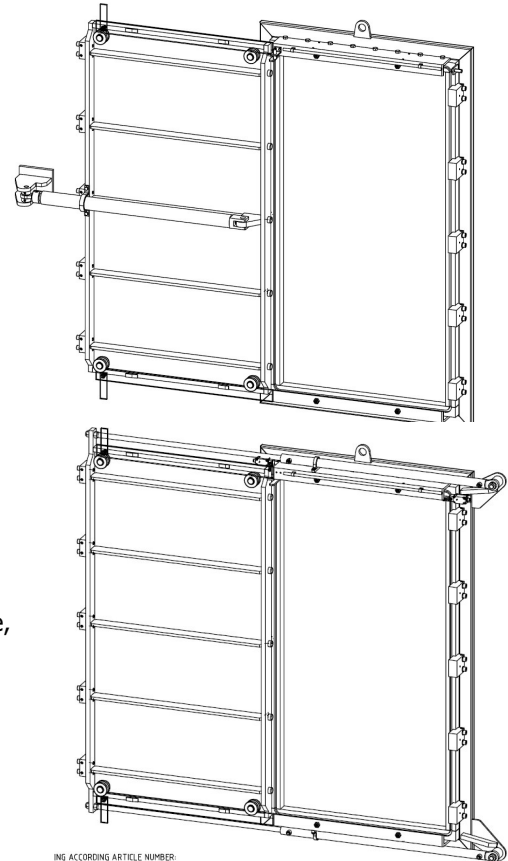
**Installation, operation and maintenance manual**

Digital supplied on CD ROM in UK language (.pdf format). Also downloadable from our website [www.winel.nl](http://www.winel.nl).

**Sliding directions**



**Sliding direction:**  
L = left closing  
R = right closing



All components are pre-mounted by Winel incl. local electric wiring unless otherwise specified.

For detailed dimensions please download the scaled general arrangement of the door on AutoCAD format (free of charge).

**Hand-Hydraulic Watertight  
Sliding door SEAGULL Q-line  
(article code 445.)****Available options****Additional indication box (open/closed) (art code 9534.00005)**

In case hand pump for remote closing is not placed on bridge an additional open/close indication box can be supplied.

**Stainless steel sill plate for flush installation on deck (art. code 340.001)**

Pre-mounted bolted hinged plate mounted on doorframe. Plate will be lifted up by doorplate during closing of the door. Recess to be provided by yard according available drawing (HD-SILL-003). Surface treatment: passivated.

**Hardcopy installation, operation and maintenance manual (art. code 340.004)**

Hard copy in English language

**End layer paint door and frame (art. code 340.006)**

The complete doorframe and doorplate can be painted in a final colour (specification to be advised by yard at order). Note: Paint will be damaged during testing, transport and installation on board.



**General description/ operation & control**



The SEAGULL is a hand hydraulic watertight sliding door, which means that the door is opened and closed by means of hand pump. Each door has an independent handpump system capable of closing or opening the door between 20 - 40 seconds.

**Normal local operation**

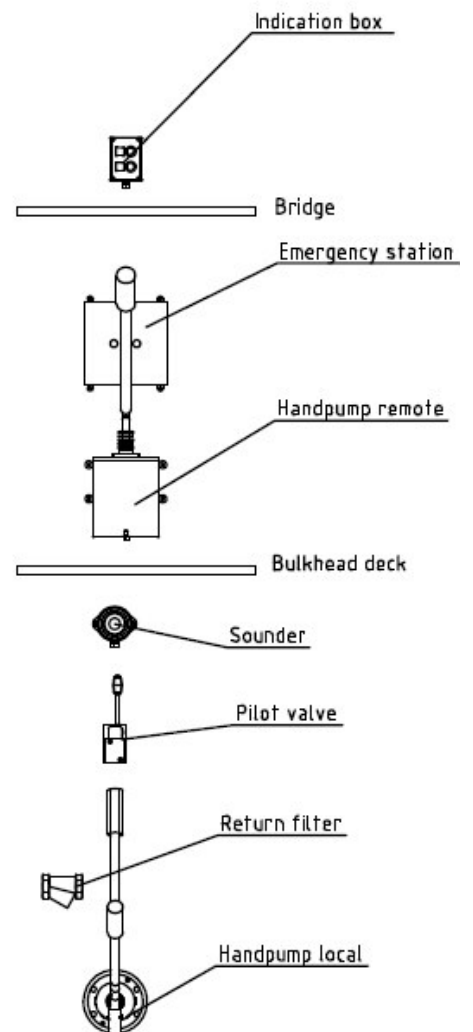
Local operation by means of handpump at either side of the bulkhead, closing and opening. To open door the pilot valve and handpump has to be operated at the simultaneous. To close the door only the handpump has to be operated.

**Emergency remote operation**

Emergency operation by a handpump, above bulkhead deck, closing only.

**Alarm/indication signals**

Locally there is an audible alarm (sunder) combined with a visual alarm (flash light). At the remote emergency station a visual indication (red/green lights) is present.



**Packing**

Doors are packed according our standard packing instructions, sealed on a wooden pallet.





**// Available article codes**

**Doors**

Please specify article codes when asking for quotation or ordering as follows:

445.11.HxW	Q-line Seagull, 1 Cylinder version, Left closing	(HxW = clear opening in mm)
445.12.HxW	Q-line Seagull, 1 Cylinder version, Right closing	(HxW = clear opening in mm)
445.51.HxW	Q-line Seagull, 2 Cylinder version, Left closing	(HxW = clear opening in mm)
445.52.HxW	Q-line Seagull, 2 Cylinder version, Right closing	(HxW = clear opening in mm)

**Example code: 445.51.1850x850**

Specify options	:	(art. code)
Specify water pressure	:	(maximised on 10 Mwc)
Specify Class Society	:	
Quantity	:	